

Rider 16 H (USA only)

Spare parts

Ersatzteile

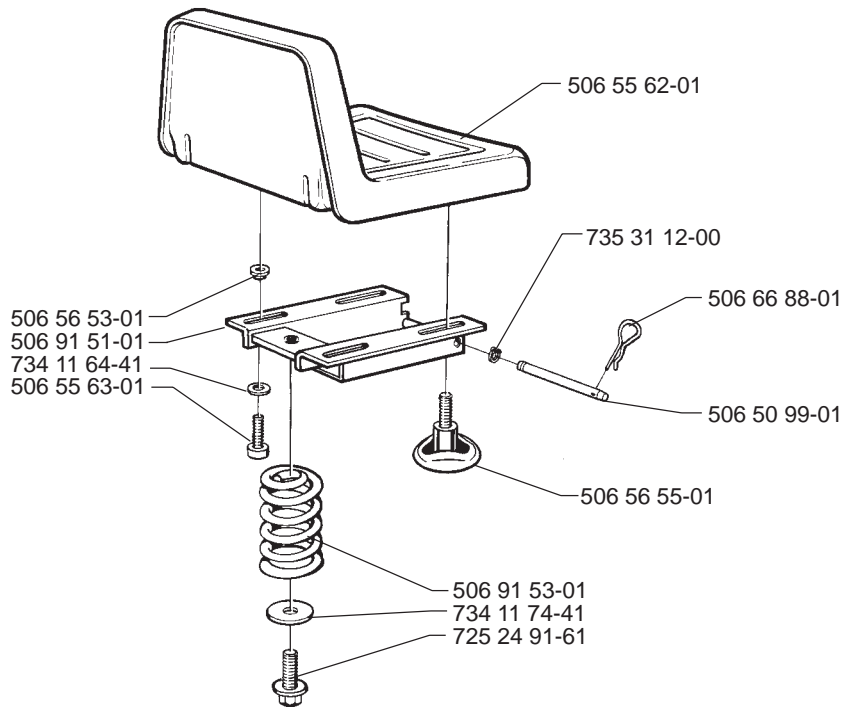
Pièces détachées

Reserve onderdelen

Repuestos

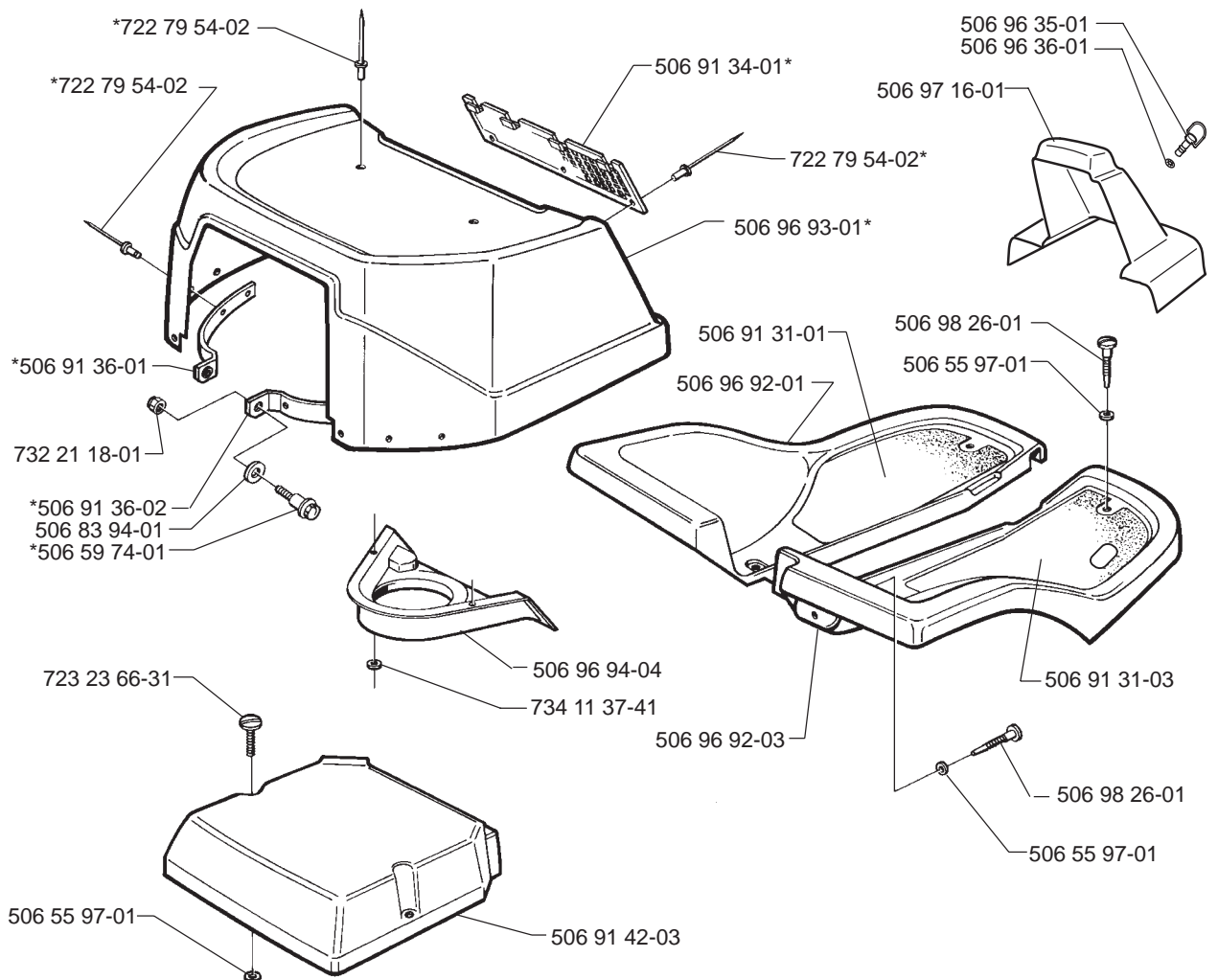
Reservdelar

A

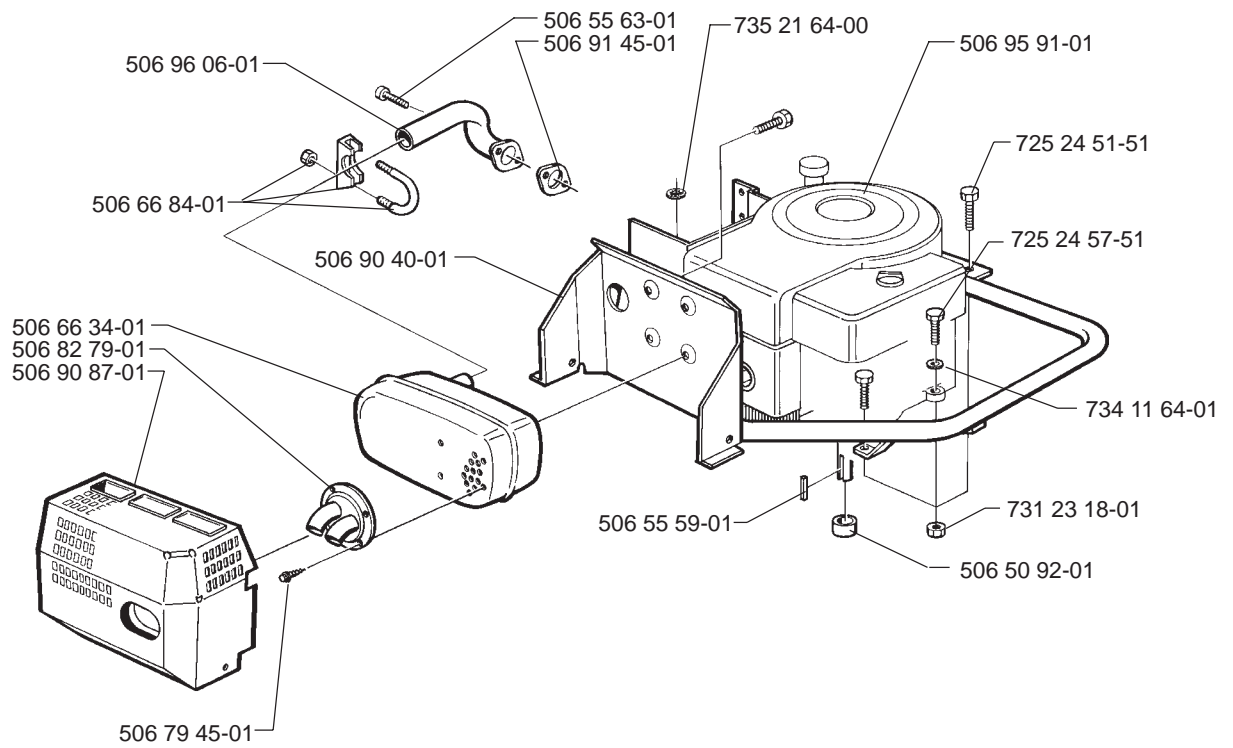


B

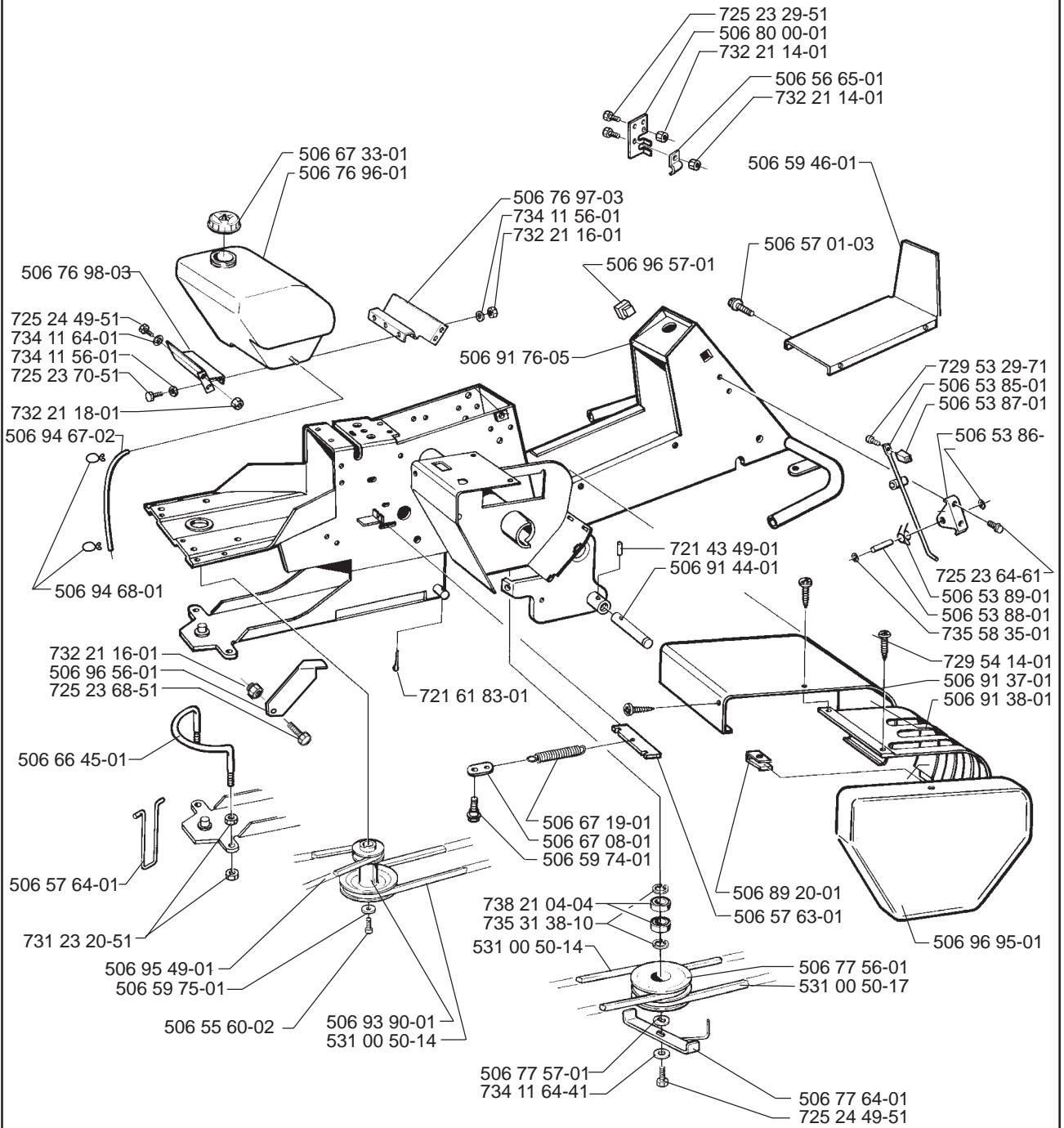
*compl 506 98 46-02



XXX XX XX-XX = New part

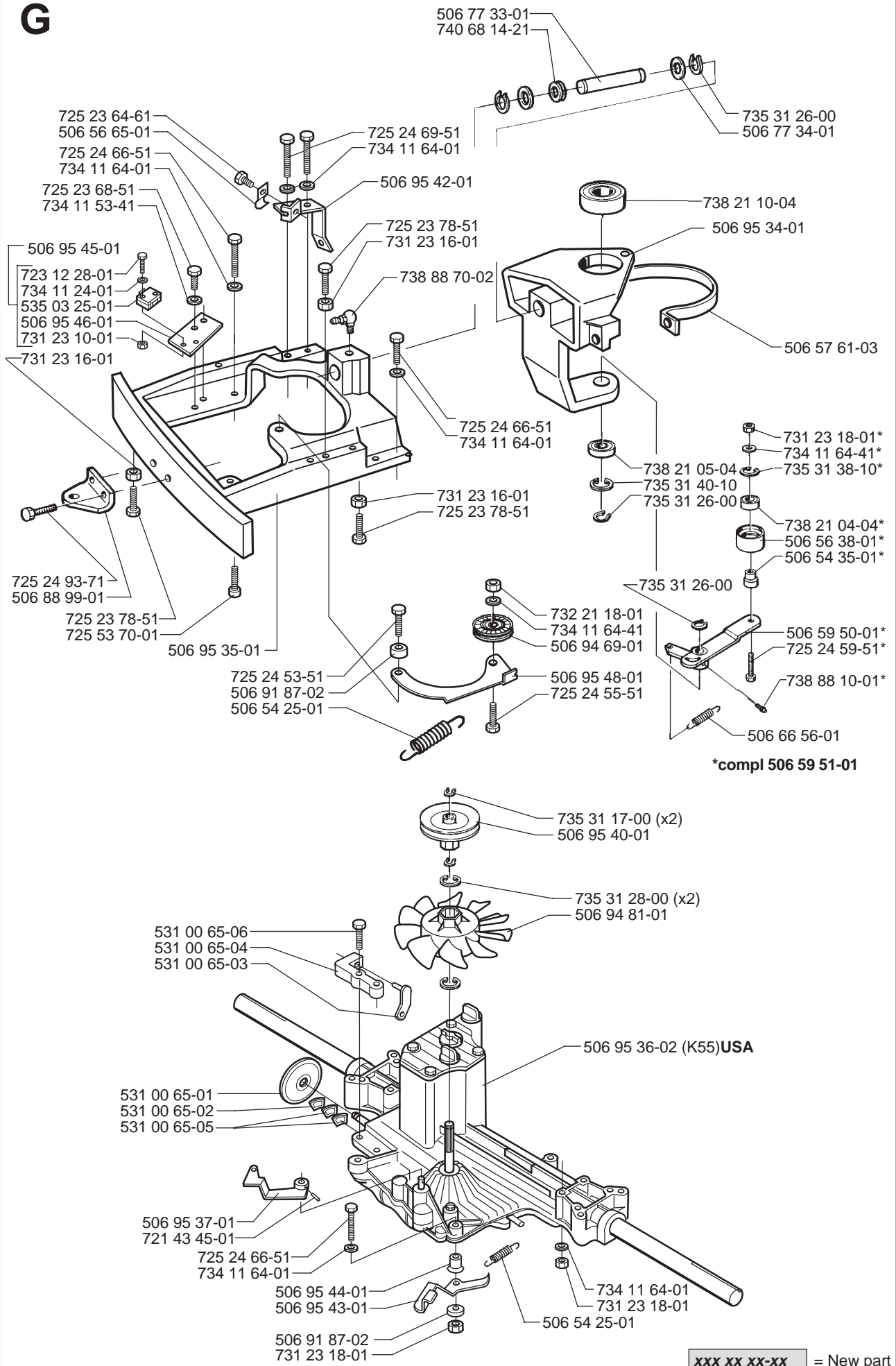
D**15,5 hp B & S Diamond plus****xxx xx xx-xx** = New part

E



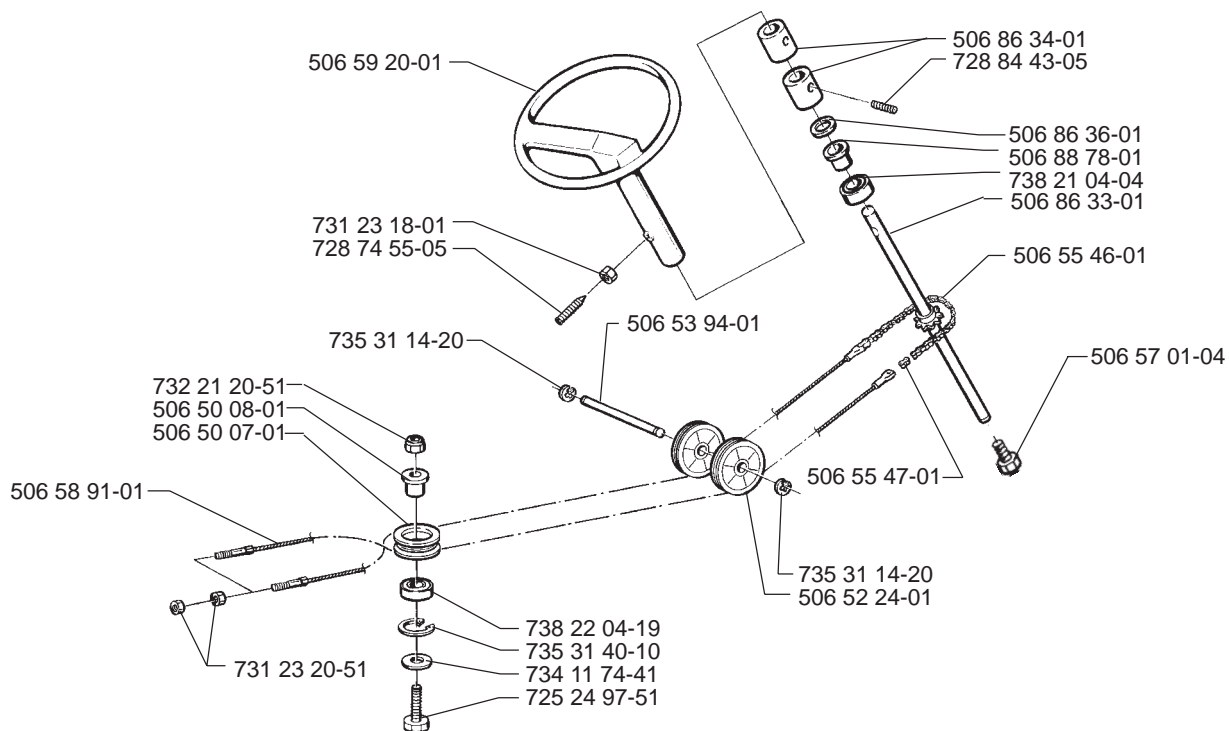
xxx xx xx-xx = New part

G

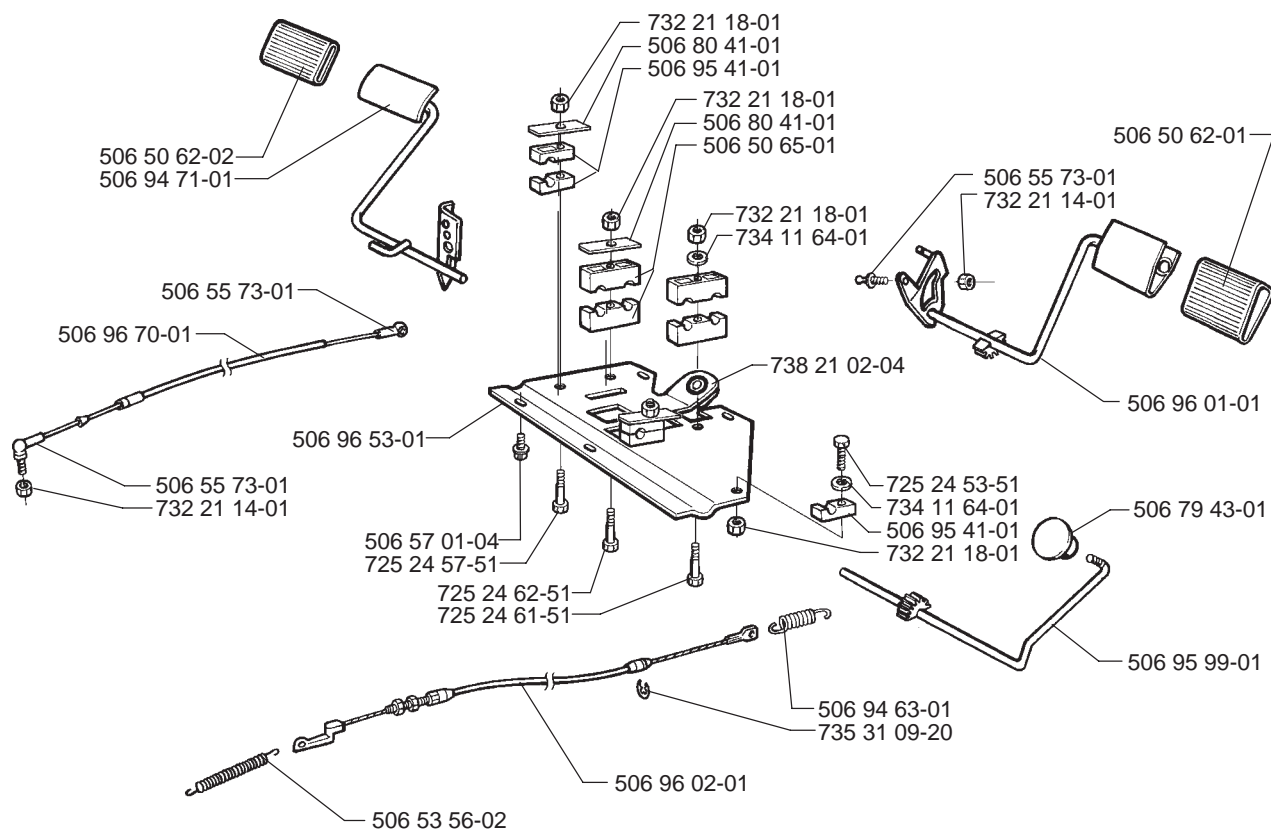


xxx xx xx-xx = New part

F

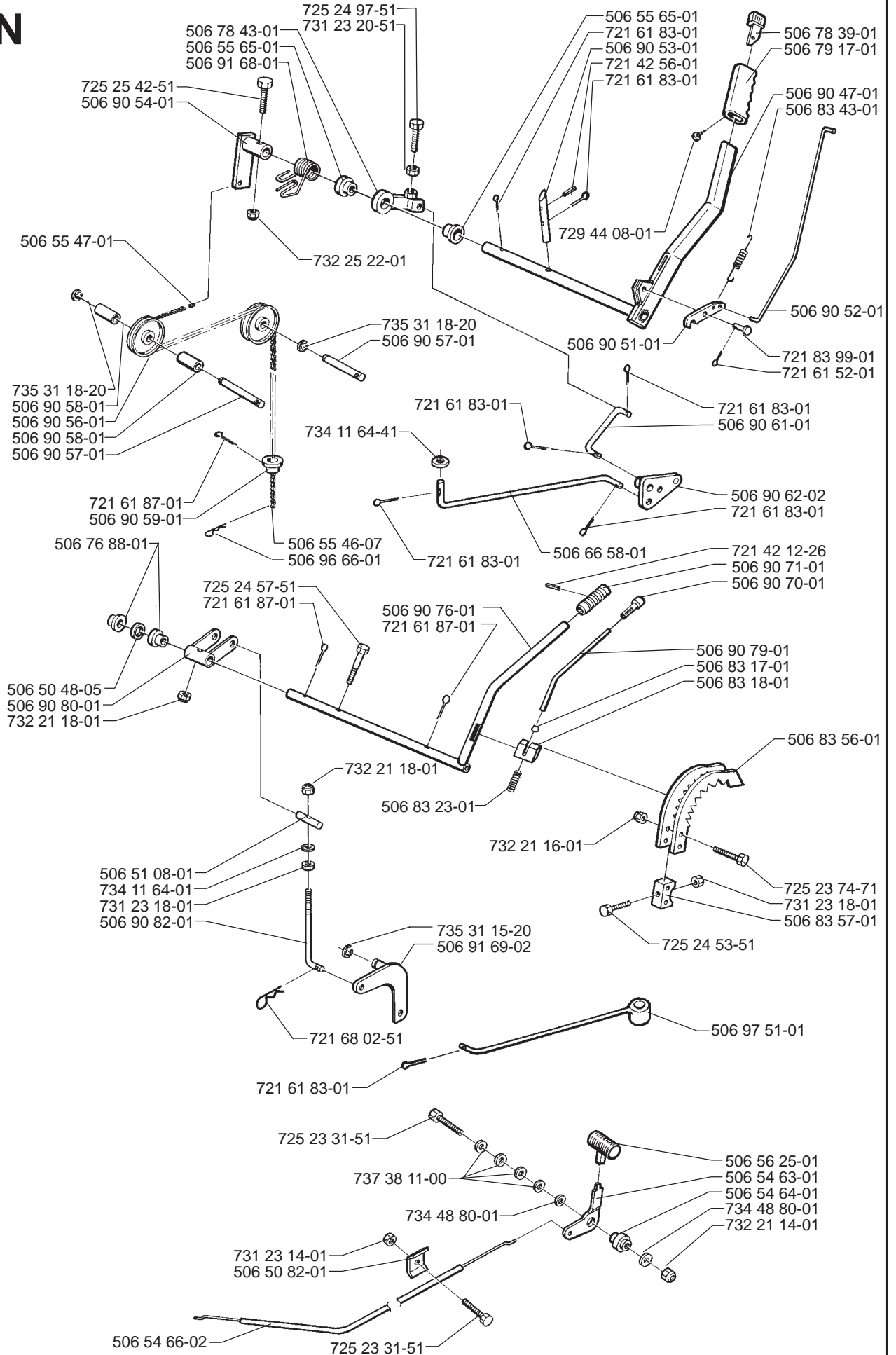


H

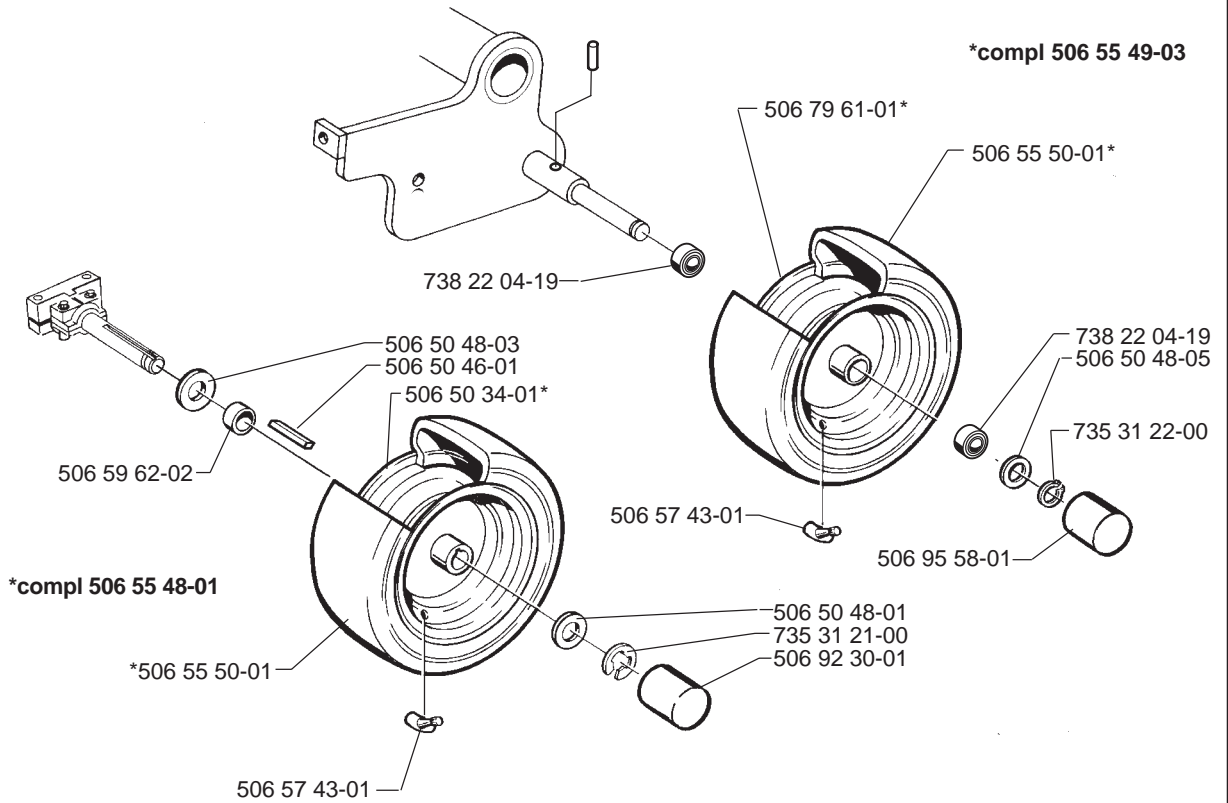
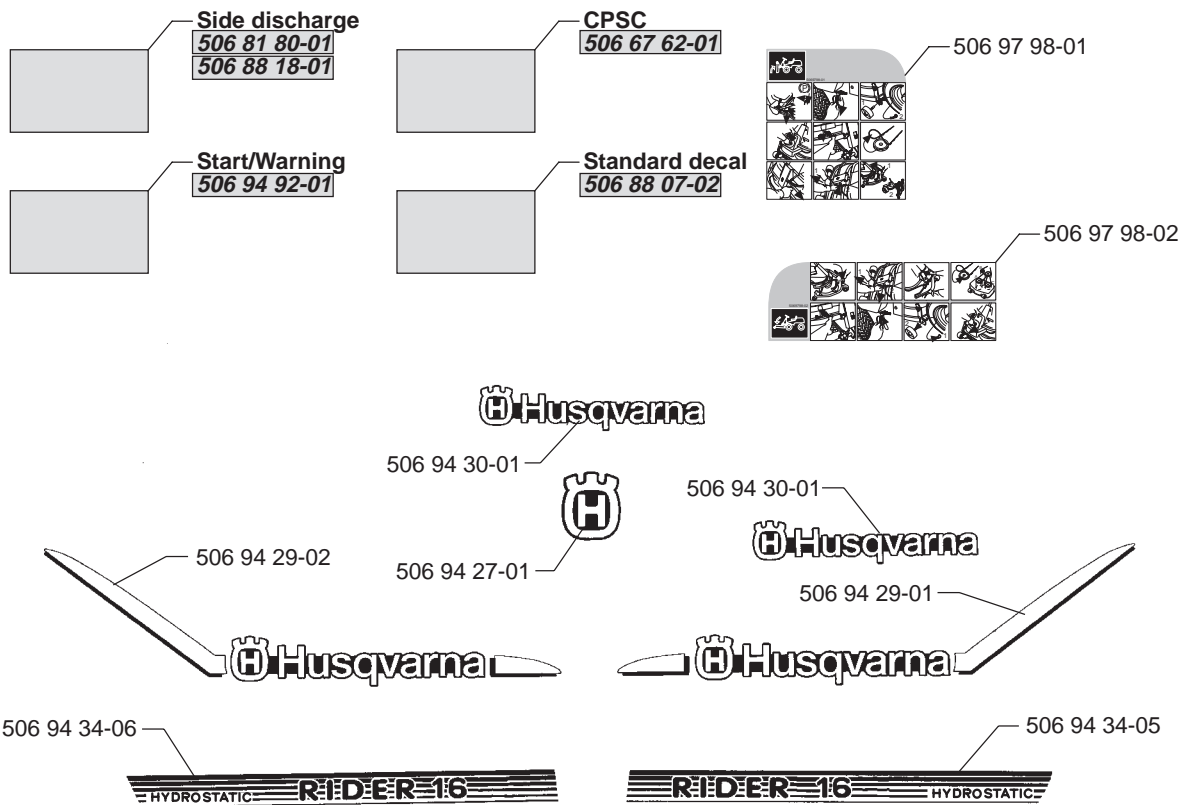


XXX XX XX-XX = New part

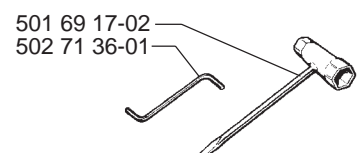
N



xxx xx xx-xx = New part

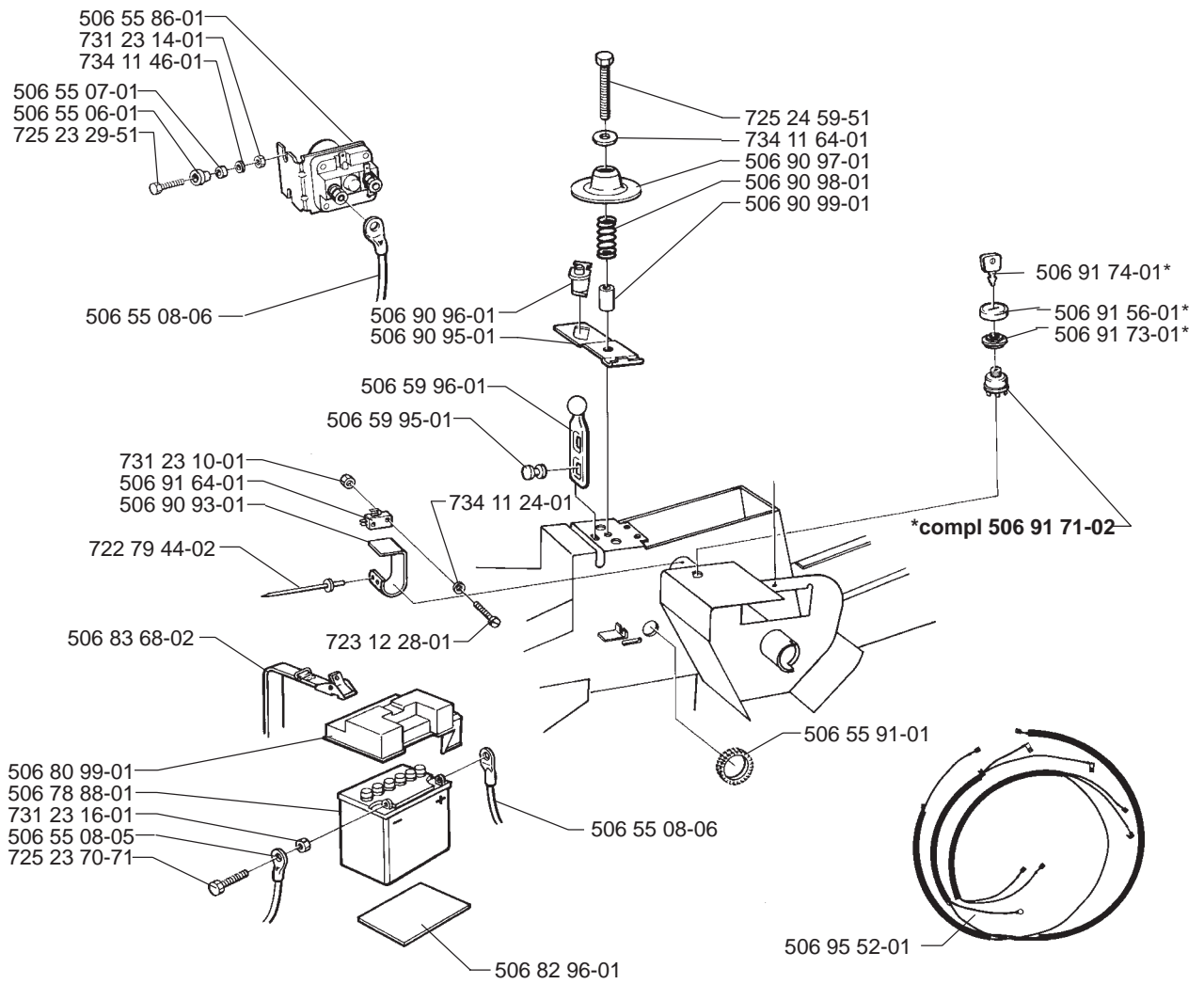
L**M****P**

Leverans endast som reservdel
 Delivery as spare part only
 Nur als Ersatzteil lieferbar
 Livrable seulement comme pièce de rechange
 Solo como repuesto
 Zasíla se jenom jako náhradni díl



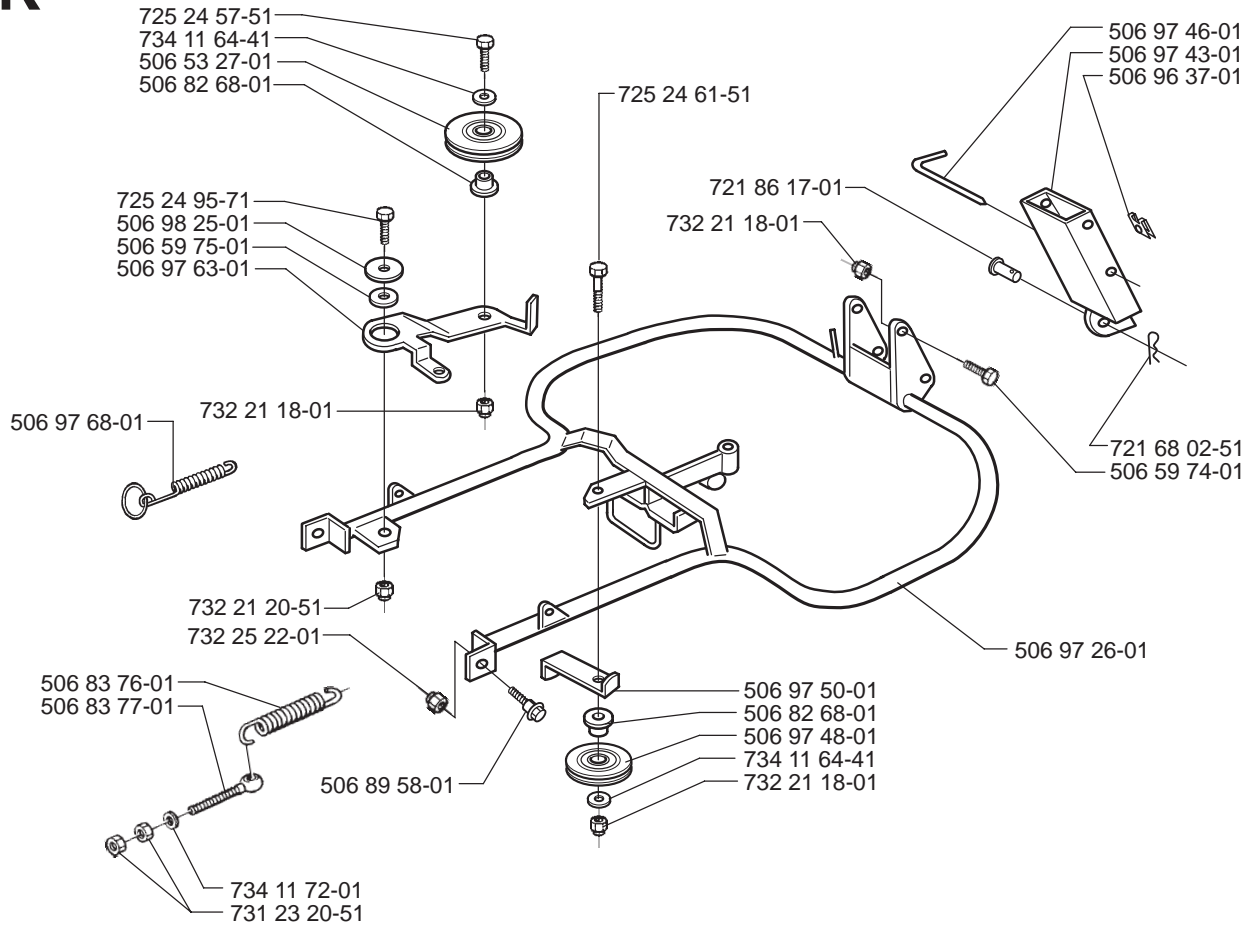
xxx xx xx-xx = New part

C

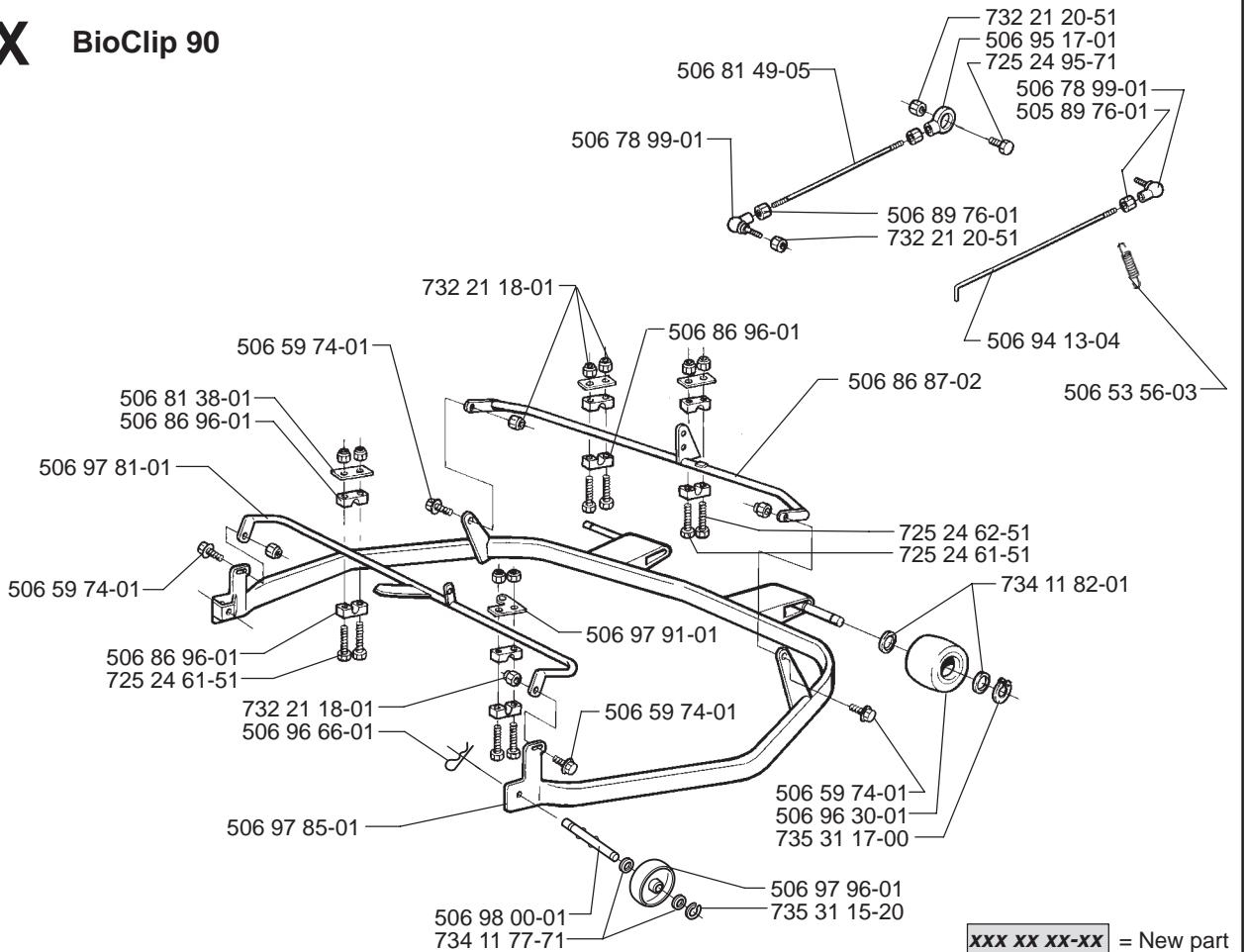


xxx xx xx-xx = New part

K

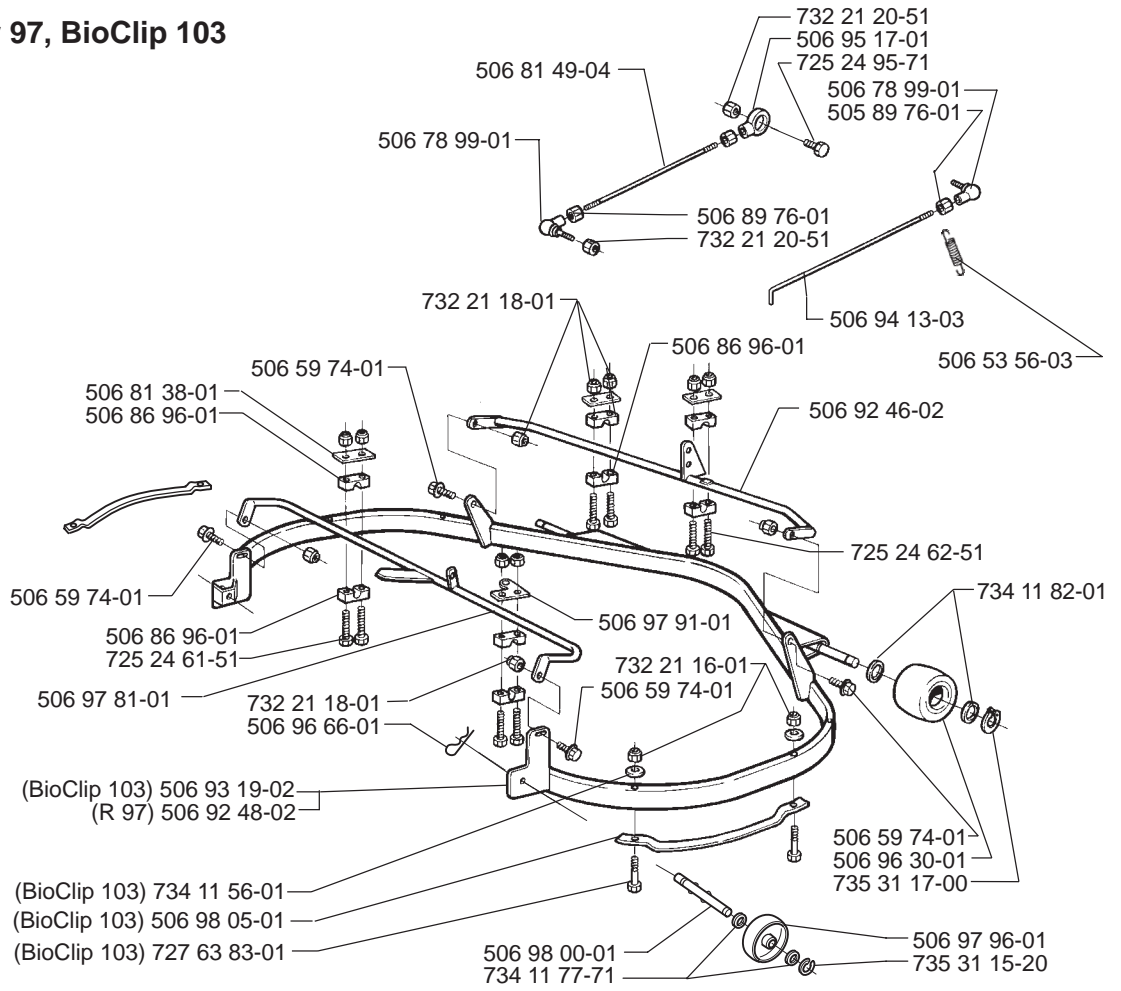


X BioClip 90

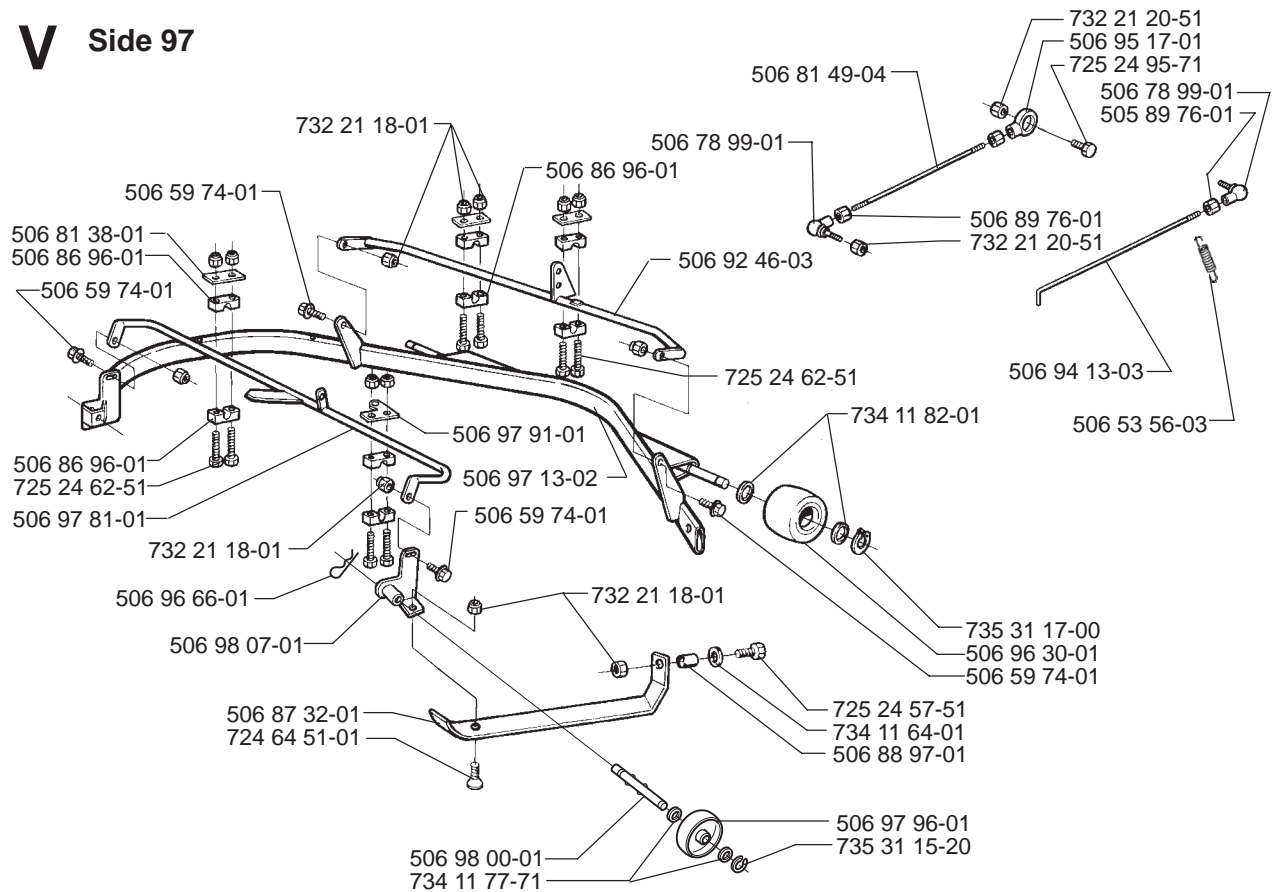


xxx xx xx-xx = New part

T Rear 97, BioClip 103



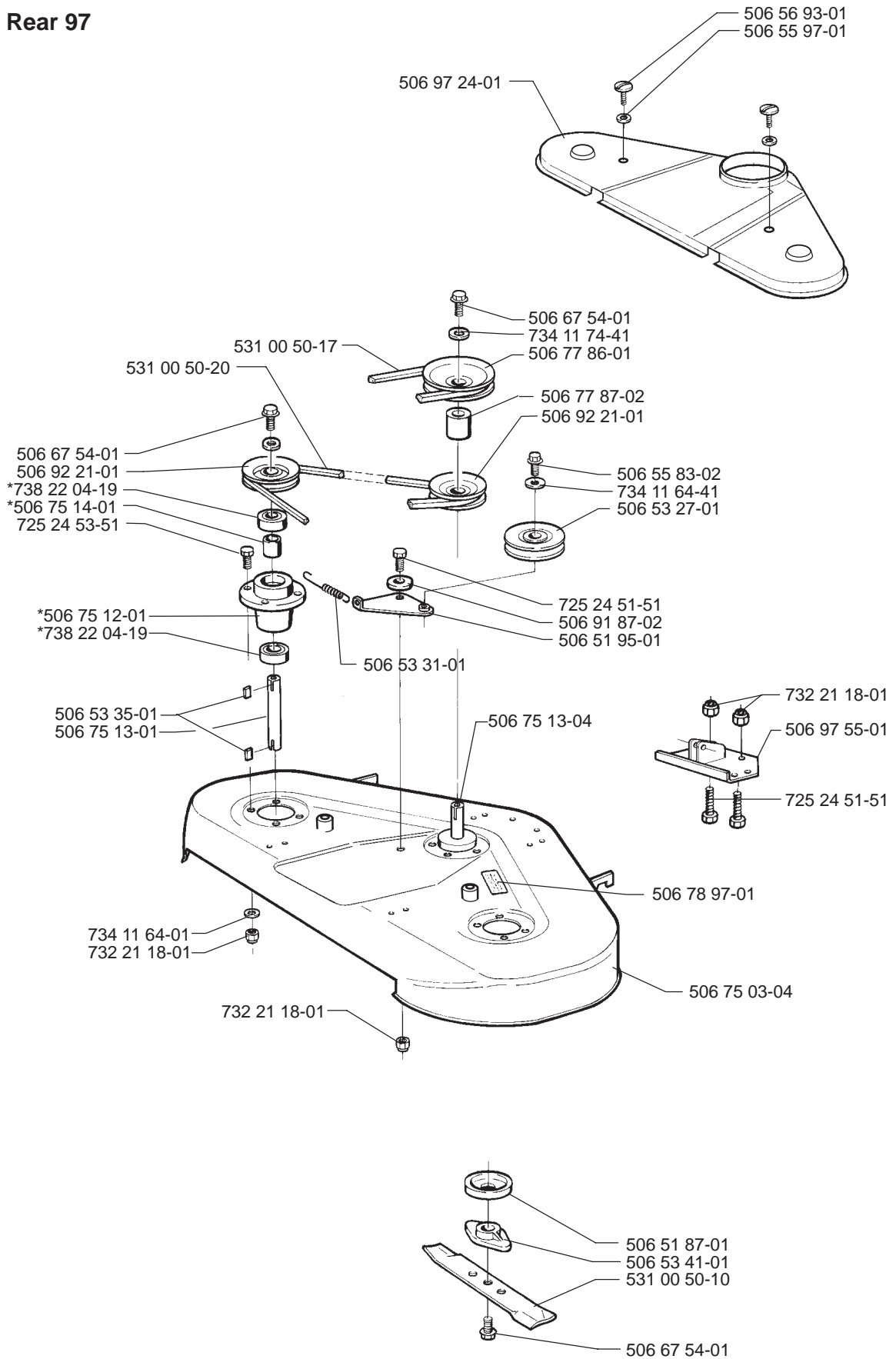
V Side 97



xxx xx xx-xx = New part

J

*compl 506 75 11-01 Yttre. Outer. Exterior. Äusser. Ulko.
 *compl 506 75 11-04 Mitten. Centre. Centre. Zentrum. Keski.

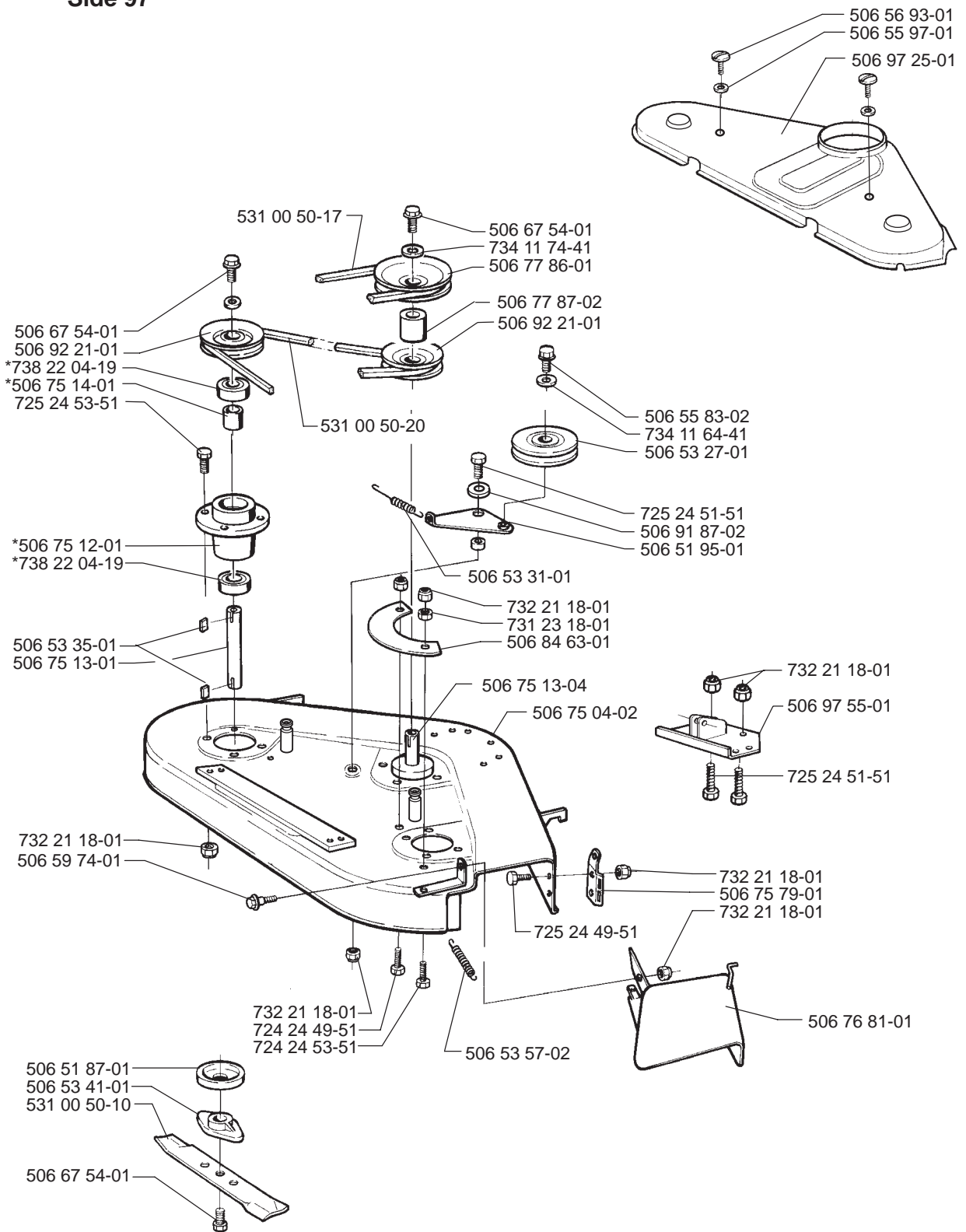
Rear 97

xxx xx xx-xx = New part

U

*compl 506 75 11-01 Yttre. Outer. Exterieur. Äusser. Ulko.
*compl 506 75 11-04 Mitten. Centre. Centre. Zentrum. Keski.

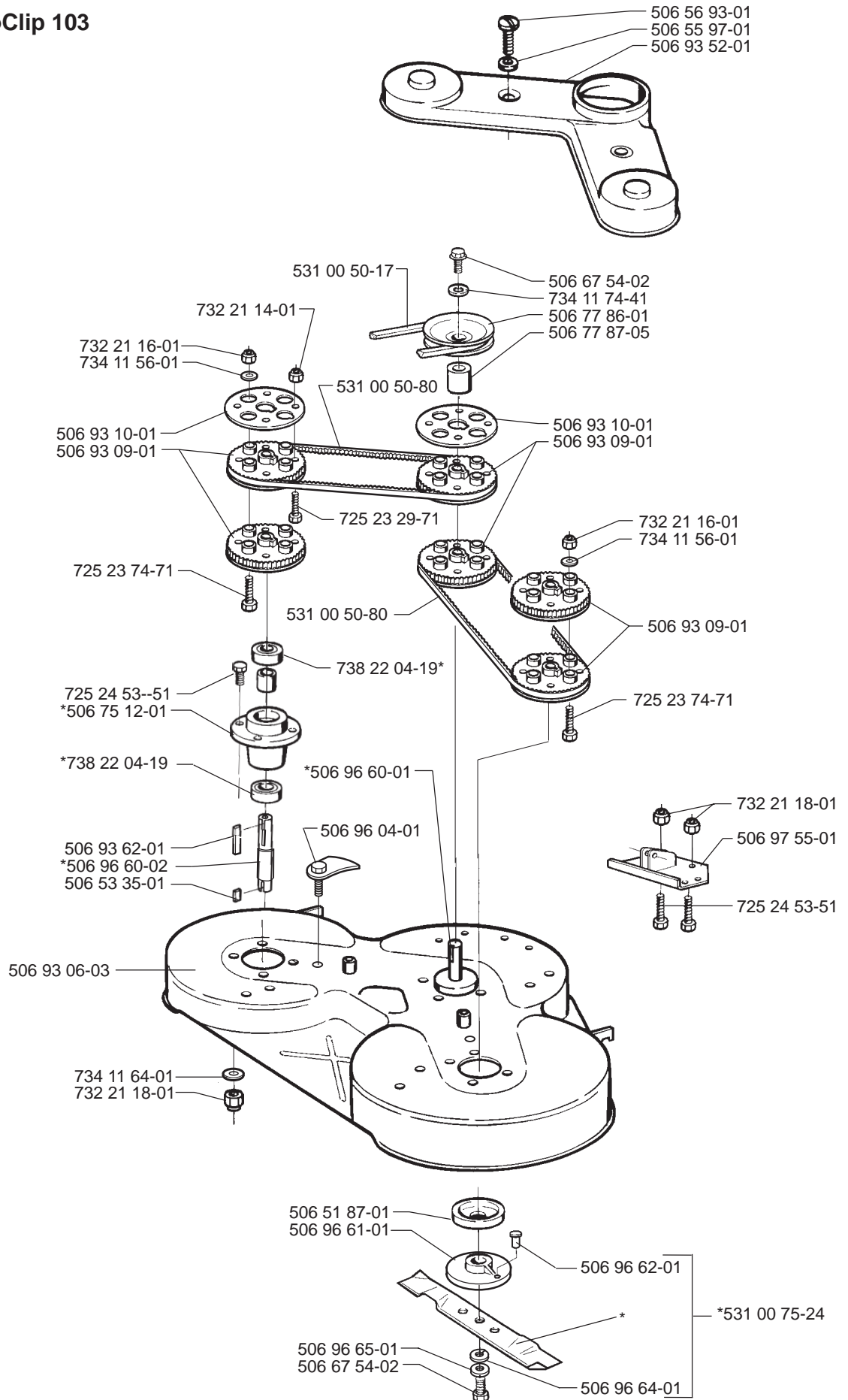
Side 97



xxx xx xx-xx = New part

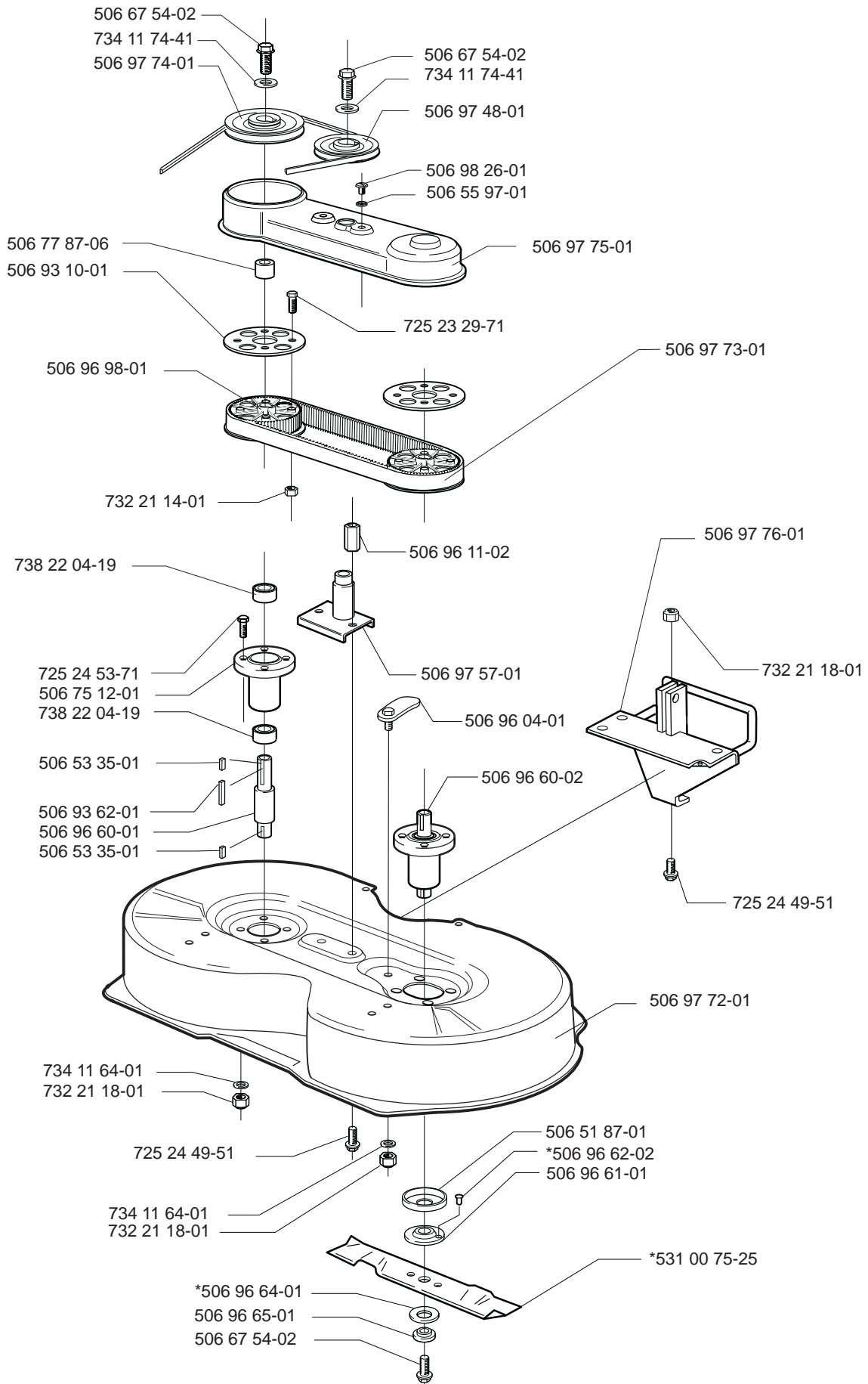
S

*compl 506 75 11-07 (a)
 *compl 506 75 11-06 (b)

BioClip 103

(a) = Yttre. Outer. Exterieur. Äusser. Ulko.
 (b) = Mitten. Center. Centre. Zentrum. Keski.

xxx xx xx-xx = New part

Y**BioClip 90**

xxx xx xx-xx = New part